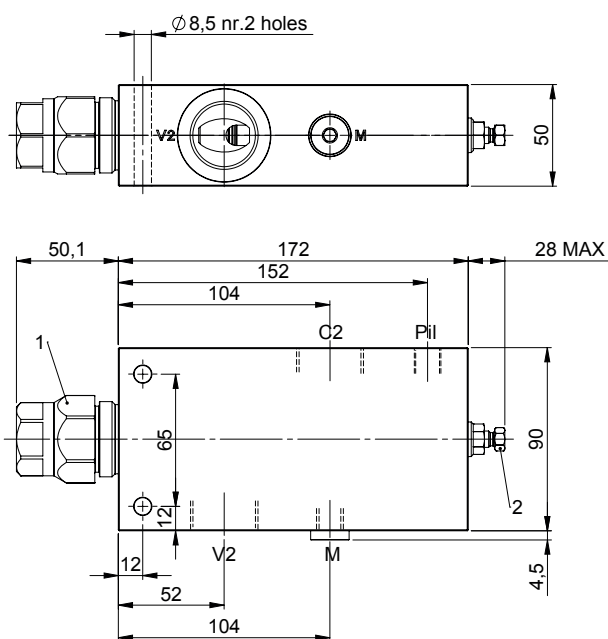
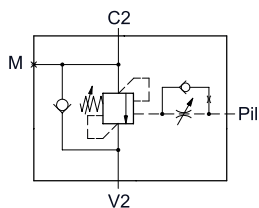
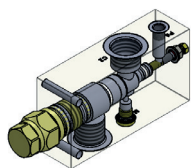


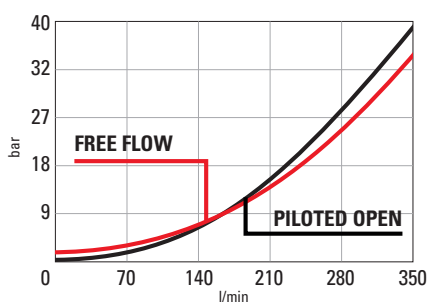
Load holding valves Normale 43 S L Pil 1



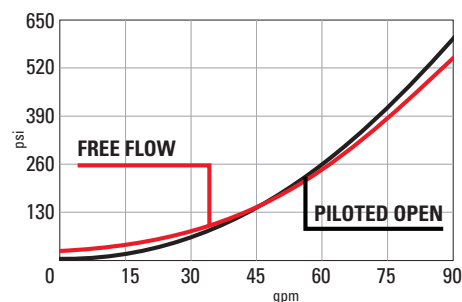
Technical Details

body material	zinc plated steel
capacity	350 lpm (93 gpm)
ports size	V2, C2: G 1 M, Pil: G 1/4
max operating pressure	350 bar (5000 psi)
pilot ratio	4:1
maximum setting	350 bar (5000 psi)
minimum setting	50 bar (750 psi)
pressure increase per turn	29 bar/turn (spring M) 48 bar/turn (spring D)
pressure setting established @	cracking pressure (1 in 3/min)
maximum valve leakage at reseal	5 drops / minute
operating characteristic	standard
reseal	>80%
maximum recommended load pressure at maximum setting	280 bar (4000 psi)
valve weight	5,75 kg (12,65 lbs)
external component surface treatment	zinc plating + sealing
temperature range	-30 to 100°C (-22 to 212°F) with BunaN seals;
fluids	Mineral-based or synthetics with lubricating properties at viscosities of 10 to 500 mm ² /s (cSt)
filtration	Nominal value max. 10µm (NAS 8) / ISO 4406 19/17/14

- Aluminum body can be anodized upon request
- Backpressure at port 2 adds to the effective relief setting at a ratio of 1 plus the pilot ratio times the backpressure
- Set your counterbalance valve at least 1.3 times the maximum load induced pressure
- Indicated Reseat value is obtained with valve set @ maximum setting
- For special ports please consult factory



Performance curves



S | N | S | 4 | 3 | P | 0 | 4 | G | 0 | 1 | | 0 | 0 | 0

M = 50-210 bar
(Standard Setting 200 bar)
D = 150-350 bar
(Standard Setting 350 bar)

The information contained in this page is valid at the time of going to print. Valvole Italia reserves the right to modify its products without notice and does not accept liabilities for damages incurred as a consequence of these changes. To make sure you are seeing the latest product information, please visit www.valvoleitalia.it

