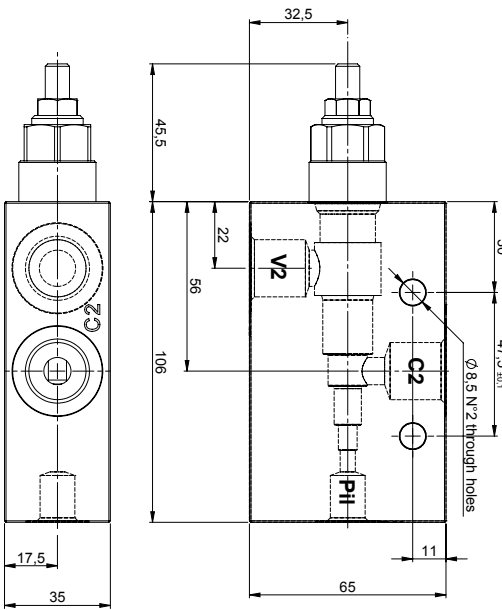
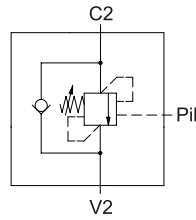
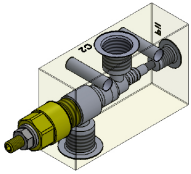




Load holding valves

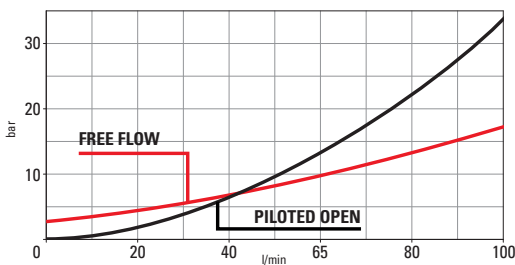
Normale 31NPS S L PIL 1/2



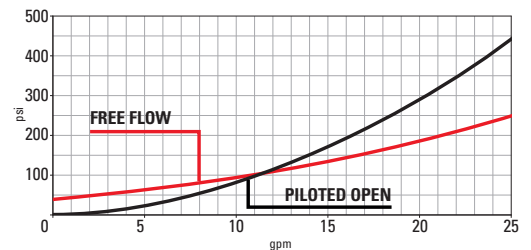
Technical Details

body material	zinc plated steel
capacity	90 lpm (24 gpm)
ports size	V2, C2: G 1/2 Pil: G 1/4
max operating pressure	350 bar (5000 psi)
pilot ratio	2:1 - 4:1 - 7:1 - 11:1
maximum setting	420 bar (6100 psi)
minimum setting	60 bar (870 psi) : 2:1 - 4:1 100 bar (1450 psi): 7:1 - 11:1
pressure increase per turn	2:1 - 4:1 Spring M: 61.5 bar/turn Spring D: 137 bar/turn 7:1 Spring M: 105 bar/turn Spring D: 234 bar/turn 11:1 Spring M: 159 bar/turn Spring D: 355 bar/turn
pressure setting established @	cracking pressure (1in3/min)
maximum valve leakage at reseal	5 drops / minute
operating characteristic	standard
reseal	>80%
maximum recommended load pressure at maximum setting	330 bar (4800 psi)
adjustment screw internal hex size	4
seal-lock hex size	13
seal-lock torque	12-15 Nm (9-11 lbf ft)
valve weight	1,8 Kg (3,95 lbs)
external component surface treatment	zinc plating + sealing
temperature range	-30 to 100°C (-22 to 212°F) with BunaN seals
fluids	Mineral-based or synthetics with lubricating properties at viscosities of 10 to 500 mm ² /s (cSt)
filtration	Nominal value max. 10µm (NAS 8) / ISO 4406 19/17/14

- Backpressure at port 2 adds to the effective relief setting at a ratio of 1 plus the pilot ratio times the backpressure
- Set your counterbalance valve at least 1.3 times the maximum load induced pressure
- Indicated Reseat value is obtained with valve set @ maximum setting
- For customized settings and for settings from 360 bar to 420 bar please consult factory
- For special ports please consult factory



Performance curves



Spring M = 60-210 bar
(Standard Setting 200 bar)
Spring D = 210-360 bar
(Standard Setting 350 bar)

The information contained in this page is valid at the time of going to print. Valvole Italia reserves the right to modify its products without notice and does not accept liabilities for damages incurred as a consequence of these changes. To make sure you are seeing the latest product information, please visit www.valvoleitalia.it

S | N | S | 3 | 1 | P | | | G | 1 | 2 | | | 0 | 0 | 0

02 = 2:1
04 = 4:1
07 = 7:1
11 = 11:1

