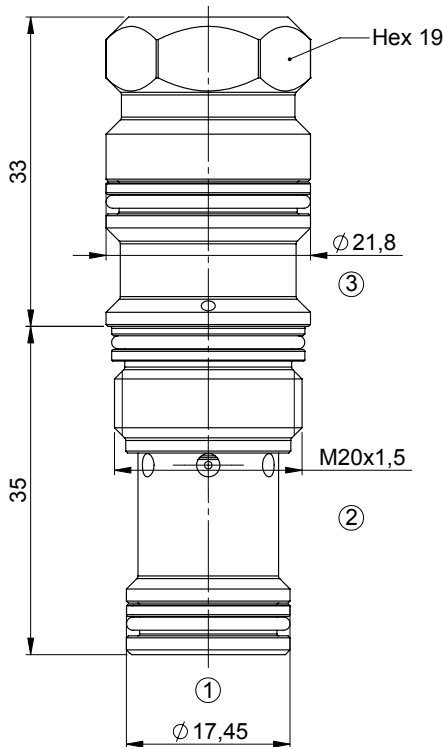
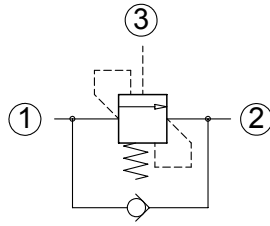
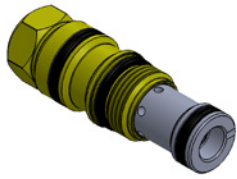




### Load holding valves

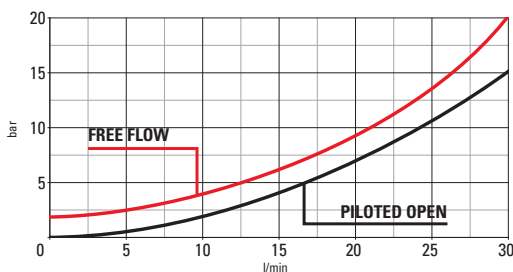
# Normale Ristretta T11A 4:1 SP fixed setting



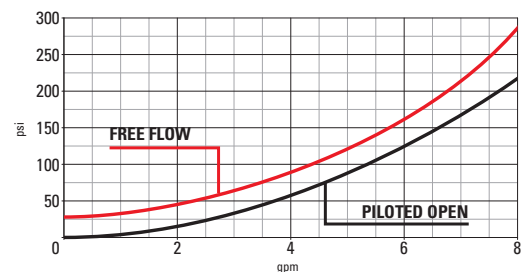
## Technical Details

cavity	T11A
capacity	30 lpm (8 gpm)
max operating pressure	350 bar
pilot ratio	4:1
maximum setting	280 bar (4000 psi)
minimum setting	70 bar (1000 psi)
pressure setting established @	cracking pressure (1in3/min)
maximum valve leakage at reseal	5 drops / minute
operating characteristic	standard
reseal	>85%
Maximum recommended load pressure at maximum setting	230 bar (3350 psi)
valve hex size	19
valve installation torque	40-45 Nm (30-35 lbf ft)
valve weight	0,130 kg (0,29 lbs) 0,130 kg (0,29 lbs)
external component surface treatment	zinc plating + sealing
seal kit (nbr)	S00T11ASN900000
seal kit (viton)	S00T11ASV900000
temperature range	-30 to 100°C (-22 to 212°F) with BunaN seals
fluids	Mineral-based or synthetics with lubricating properties at viscosities of 10 to 500 mm <sup>2</sup> /s (cSt)
filtration	Nominal value max. 10µm (NAS 8) / ISO 4406 19/17/17

- Backpressure at port 2 adds to the effective relief setting at a ratio of 1 plus the pilot ratio times the backpressure
- Set your counterbalance valve at least 1.3 times the maximum load induced pressure
- This valve is provided with positive seals between all ports
- Declared reseal value is obtained with valve set @ maximum setting



Performance curves



Seals  
B = BUNA SEALS  
D = VITON SEALS

C | 0 | 4

Setting (bar)

| 0 | 4 | 1 | 1 | 0 | 0 | A

Spring  
M (70-280 bar)

The information contained in this page is valid at the time of going to print. Valvole Italia reserves the right to modify its products without notice and does not accept liabilities for damages incurred as a consequence of these changes. To make sure you are seeing the latest product information, please visit [www.valvoleitalia.it](http://www.valvoleitalia.it)

