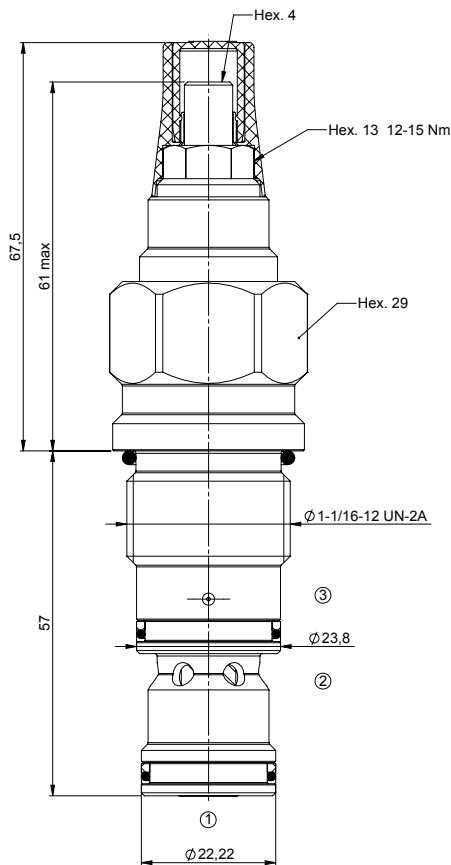
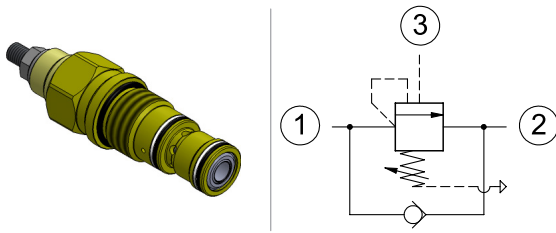




# Load holding valves

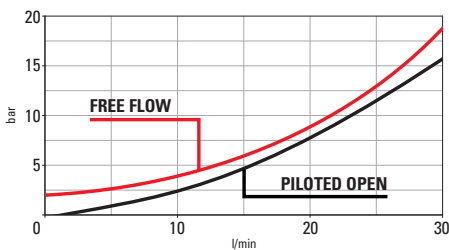
## Normale I08 4:1 adjustable setting



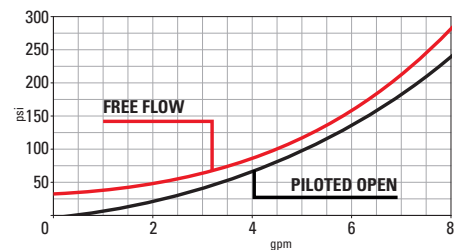
### Technical Details

cavity	IH A6610
capacity	30 lpm (8 gpm)
max operating pressure	350 bar (5000 psi)
pilot ratio	4:1
maximum setting	350 bar (5000 psi)
minimum setting	50 bar (725 psi)
pressure increase per turn	136 bar (spring D) - 109 bar (spring M) - 73 bar (spring T)
pressure setting established @	cracking pressure (1in3/min)
maximum valve leakage at reseal	5 drops / minute
operating characteristic	standard
reseal	>85%
maximum recommended load pressure at maximum setting	280 bar (4000 psi)
valve hex size	24
valve installation torque	34-41 Nm (25-30 lbf ft)
adjustment screw internal hex size	4
seal-lock hex size	13
seal-lock torque	12-15 Nm (9-11 lbf ft)
valve weight	0.150 Kg (0.33 lbs)
external component surface treatment	zinc plating + sealing
seal kit (nbr)	SOA6610SN700000
seal kit (viton)	SOA6610SV700000
temperature range	-30 to 100°C (-22 to 212°F) with BunaN seals;
fluids	Mineral-based or synthetics with lubricating properties at viscosities of 10 to 500 mm <sup>2</sup> /s (cSt)
filtration	Nominal value max. 10µm (NAS 8) / ISO 4406 19/17/50

- Turn adjustment clockwise to increase setting
- Backpressure at port 2 adds to the effective relief setting at a ratio of 1 plus the pilot ratio times the backpressure
- Set your counterbalance valve at least 1.3 times the maximum load induced pressure
- This valve is not provided with positive seals on the pilot section
- Declared reseal value is obtained with valve set @ maximum setting



### Performance curves



**Seals**  
**0** = BUNA SEALS  
**6** = BUNA tamper resistant  
**2** = VITON SEALS  
**7** = VITON tamper resistant

C | 0 | 0 | | | | | | | 0 | 4 | 6 | 6 | 0 | 0 | A

Setting (bar)

**Spring**  
**T** = 70-150 bar  
**M** = 100-210 bar  
**D** = 200-350 bar

The information contained in this page is valid at the time of going to print. Valvole Italia reserves the right to modify its products without notice and does not accept liabilities for damages incurred as a consequence of these changes. To make sure you are seeing the latest product information, please visit [www.valvoleitalia.it](http://www.valvoleitalia.it)

