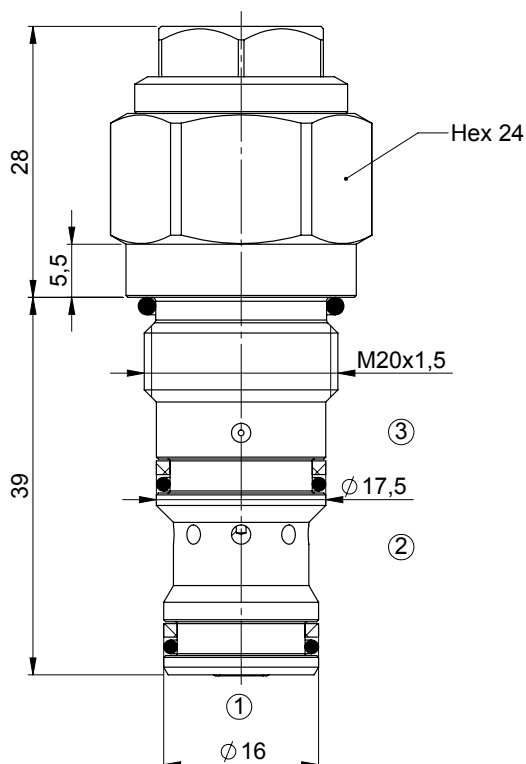
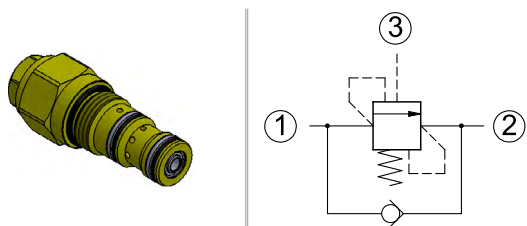




Load holding valves

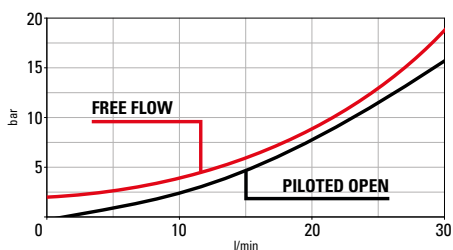
Normale I08 4:1 fixed setting



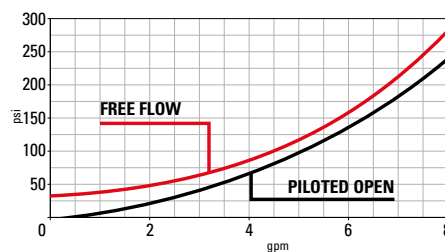
Technical Details

cavity	IH A6610
capacity	30 lpm (8 gpm)
max operating pressure	350 bar (5000 psi)
pilot ratio	4:1
maximum setting	350 bar (5000 psi)
minimum setting	100 bar (1450 psi)
pressure setting established @	cracking pressure (1in3/min)
maximum valve leakage at reseal	5 drops / minute
operating characteristic	standard
reseal	>85%
maximum recommended load pressure at maximum setting	280 bar (4000 psi)
valve hex size	24
valve installation torque	34-41 Nm (25-30 lbf ft)
valve weight	0.150 Kg (0.33 lbs)
external component surface treatment	zinc plating + sealing
seal kit (nbr)	SOA6610SN700000
seal kit (viton)	SOA6610SV700000
temperature range	-30 to 100°C (-22 to 212°F) with BunaN seals;
fluids	Mineral-based or synthetics with lubricating properties at viscosities of 10 to 500 mm ² /s (cSt)
filtration	Nominal value max. 10µm (NAS 8) / ISO 4406 19/17/50

- Turn adjustment clockwise to increase setting
- Backpressure at port 2 adds to the effective relief setting at a ratio of 1 plus the pilot ratio times the backpressure
- Set your counterbalance valve at least 1.3 times the maximum load induced pressure
- This valve is not provided with positive seals on the pilot section
- Declared reseal value is obtained with valve set @ maximum setting



Performance curves



Seals
1 = BUNA
3 = VITON

C | 0 | 0 | | | | | 0 | 4 | 6 | 6 | 0 | 0 | A

Setting (bar)

Spring
T = 50-150 bar
M = 100-210 bar
D = 200-350 bar

The information contained in this page is valid at the time of going to print. Valvole Italia reserves the right to modify its products without notice and does not accept liabilities for damages incurred as a consequence of these changes. To make sure you are seeing the latest product information, please visit www.valvoleitalia.it

